

Pesch Marinescheinwerfer
Ortsring 2
21423 Winsen
Tel. : 0049(0)4171-5684
E-Mail: sales@seematz.de

Seematz

Betriebsanleitung Operating manual

Ersatzteilliste / spare part list

Searchlights

Tilkin part: 1210051 (DEMO)

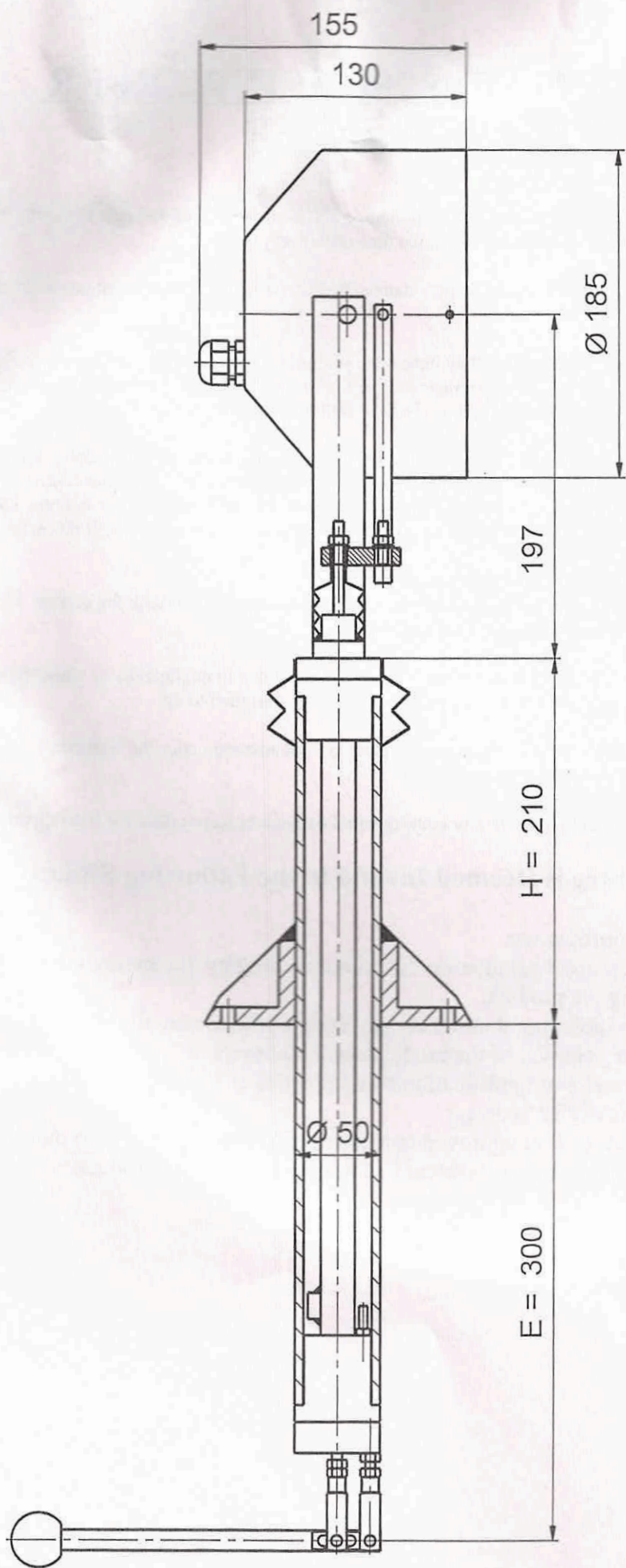
PESCH MARINESCHEINWERFER

GUARANTEE

1. Pesch Marinescheinwerfer guarantees the quality of their products at the time of dispatch from our premises. The warranty period is 1 year which commences from the time of delivery.
2. All items in the catalogue are of the highest quality standards, although the actual description may vary from time of publication.
3. Goods can not be returned for credit unless they have been sent incorrectly, or until prior arrangements have been made in writing. No returns will be credited unless received in original condition and packaging, quoting Invoice or Dispatch Docket number. We reserve the right to credit or replace returned goods.
4. Any warranty claims submitted must be accompanied with evidence or sale and purchase date, details of application to which the product has been subjected and nature of fault, in order for us to process such claims quickly and efficiently. Our warranty inclosed every needing parts to eliminate the claim reson at our system. The solution which parts are necessary will by Pesch Marinescheinwerfer. Every labour and trip cost will be by the buyer.
5. Insurance is buyers care. We accept no claims for transit damage. The buyer should lodge any claims for damaged or missing articles immediately with the carrier. This action does not release the buyer from our standard payment terms.
6. Pesch Marinescheinwerfer will not be liable for any goods damaged due to negligence, or when the product is used inappropriately, or for purposes other than what it was intended & designed to do.
7. Lamps, wiper rubbers as well as all other consumable parts are not covered under the warranty even when the fault occurs during the warranty period of 1 year.
8. Pesch Marinescheinwerfer is not liable for any consequential damage or responsible for late delivery.

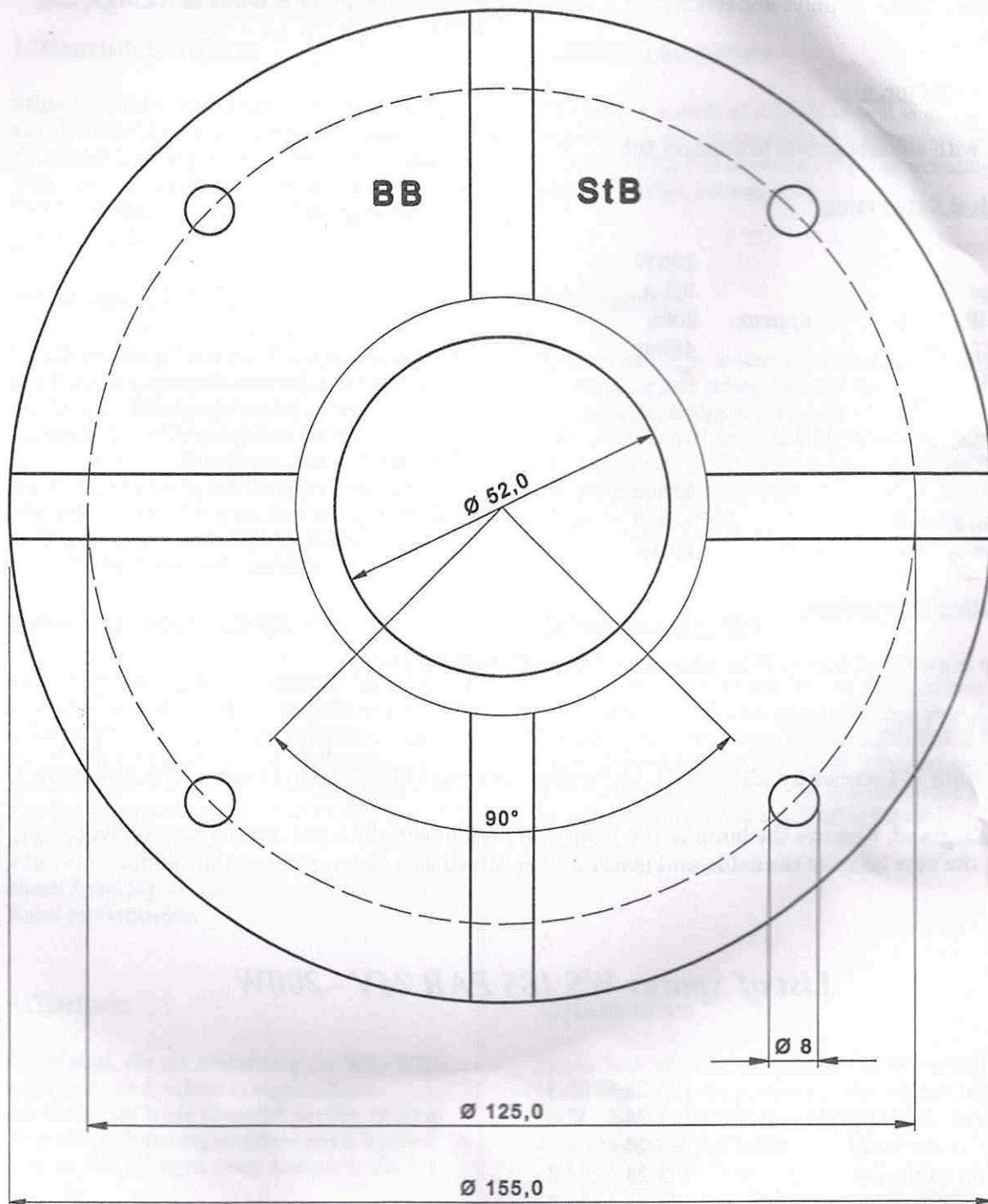
The Guarantee is Deemed Invalid in the Following Situations;

- a.) Damages caused by improper use
- b.) Damages caused by incorrect installation due to not abiding by the operational instructions provided when purchasing the product.
- c.) Damages by accidents including thunder & lightening strike, water, fire, improper use, negligence or changes and removal of the model &/or serial number.
- d.) Damages caused by repairs or modification by companies or persons not authorised or approved by Pesch Marinescheinwerfer to do so.
- e.) Substituting or using other than approved components & parts for repairs to our products.
- f.) Damage caused by utilising a faulty system in conjunction with our product.



SEEMATZ : WS - MINI

Bohrschablone template for drilling



03.09.2002

SEEMATZ WS/WH 50

Pesch Marinescheinwerfer

Ersatzteilliste / List of spare parts

WS / WH 50

Beschreibung

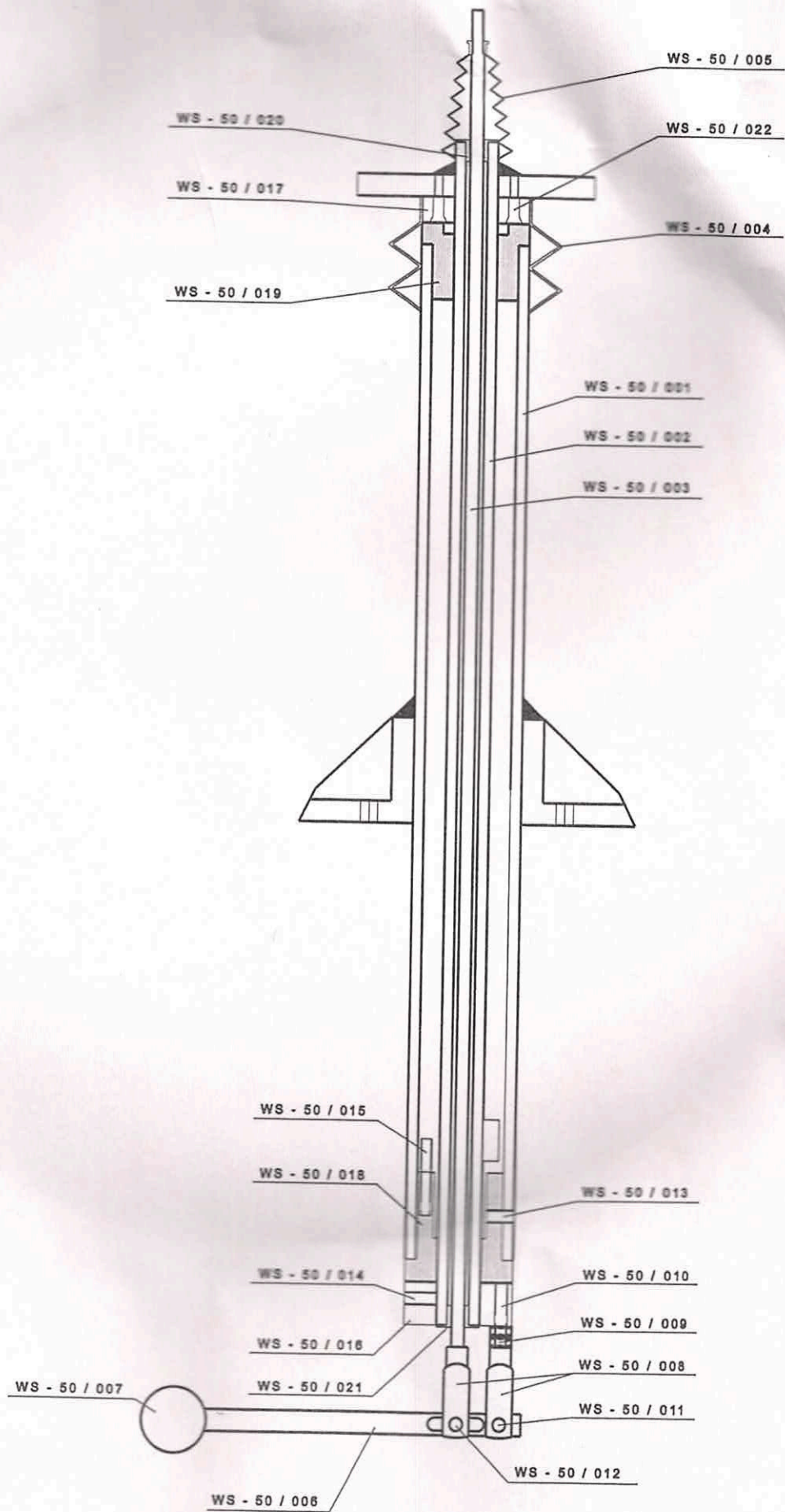
Säule 50 mm
Drehrohr 20 mm und großem Bügel
Schubstange 6 mm komplett
Faltenbalg, Säule
Faltenbalg, Schubstange
Handhebel
Knopf für Handhebel
Gabelstück M 6
Muttern M6
Gewindestift M6
Befestigungsschraube M 6 + Mutter
Knebelgriff M 6
Sterngriff M 10
Inbusschraube
Anschlagstift
Untere Zugscheibe
Obere Druckscheibe
Zuglager PVC
Drucklager PVC
Buchse 6x10 mit Rand
Buchse 6x10 mit Rand
Befestigung Bügel
Lagerscheibe VZA

Description

Column 50 mm
Rotary column 20 mm and large bow
Thrust bar 6 mm complete
Bellow column
Bellow thrust bar
Handle
Ball knob handle
Fork crown M 6
Nut M6
Thread plug M6
Connection screw M 6 with nut
Locking handle M 6
Star knob M 10
Hexagon socket screw
Stop pin
Downside tension bearing
Upside thrust bearing
Tension bearing PVC
Thrust bearing PVC
bush 6x10
bush 6x10
Connecting set large bow
Bearing disc, inox

Part No.

50- 001
50- 002
50- 003
50- 004
50- 005
50- 006
50- 007
50- 008
50- 009
50- 010
50- 011
50- 012
50- 013
50- 014
50- 015
50- 016
50- 017
50- 018
50- 019
50- 020
50- 021
50- 022
50- 023



SEEMATZ WS 50 ab/since 1.01.19
Ersatzteile / spare parts WS 50